

ADDA 8F - 8 WAY LED FLAG UNIT

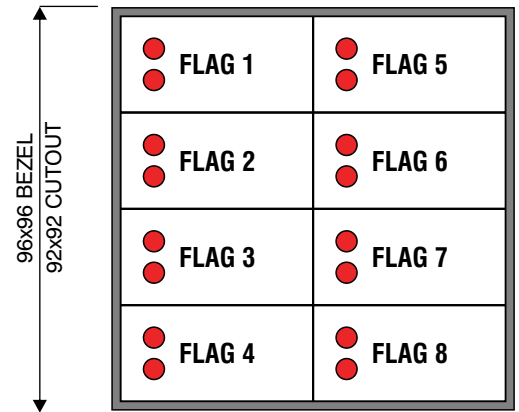
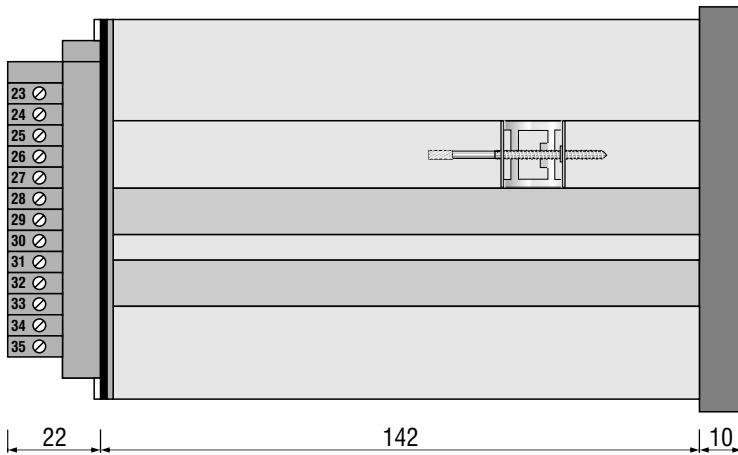
The ADDA 8-F is a purpose designed 110 /220 Vdc relay based flag unit for panel mounting purposes. The complete unit is housed in an extruded aluminium enclosure with removable front engraving plate for easy customization to the clients requirement. All terminations to the unit are via locking removable terminals for easy installation and maintenance. The 8 way flag unit consists of eight individual latching relay based circuits. Each circuit offers the following output functions:

1. Individual potential free contact (only the common of the contact is common to other circuits.)
2. Instantaneous avalanche diode protected trip output for each two grouped alarms (alarms 1,2 - 3,4 - 5,6 - 7,8 are grouped together)
3. Individual double switched trip reinforcing contact (for improved dc load breaking) for each alarm (the common of these contacts are also grouped in pairs as before.)
4. Two high brightness LED alarm indicators for each alarm on the front panel.

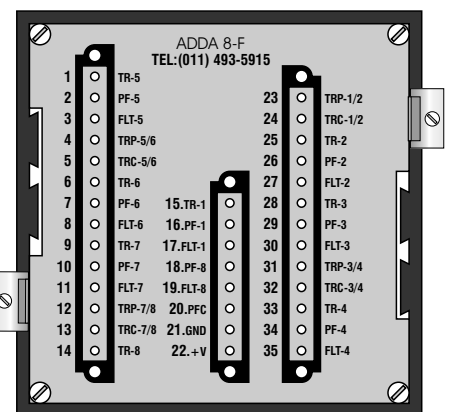
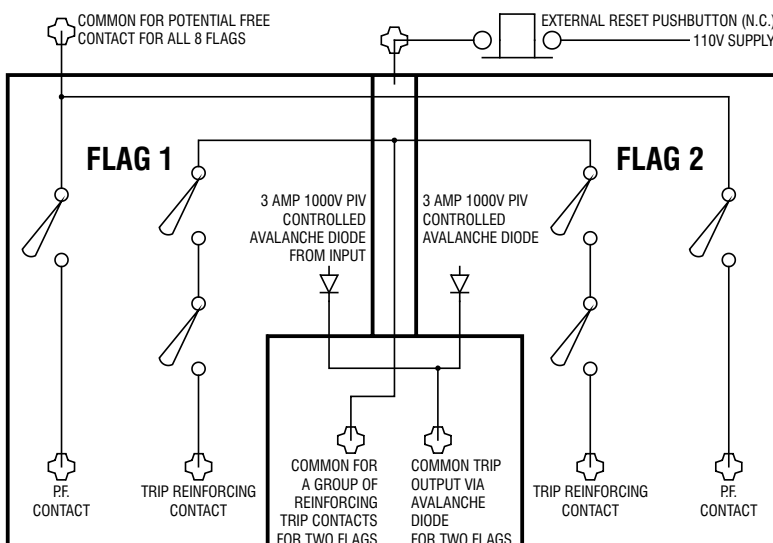
All these alarm output functions are available at the output terminals on the rear of the enclosure , as well as the input and power connections. All the plug-in terminals are of the screw-down locking type, to prevent the plugs from becoming unsocketed while in operation and thus invalidating the safety tripping circuits.

ADDA 8F - Electrical Operation

On application of the supply voltage all alarms will be in the off condition and all outputs will be de-activated. When an alarm input (+110/220 Vdc) is applied to one of the "fault in" inputs , that particular alarm will trip. This activates that relevant alarm's outputs and illuminates the two LED's on the front panel. The alarm will remain in this condition regardless of the input status , until the main power to the alarm unit is removed.(Reset) All the alarm inputs function in the same manner. (The alarm inputs are protected against false alarm triggering due to transients and inductive pickup by means of positive temperature coefficient resistors in parallel with the input relay coils.)



Note:Engraving of Front Panel is free if details are supplied on order, otherwise engraving is R 9-75 per alarm window



REAR

ALL CONTACTS ARE 5 AMP RATING (AC NOMINAL) WITH DC1 LOAD BREAK AS FOLLOWS:
55V DC=700mA, 110V DC=260mA & 220V DC=100mA