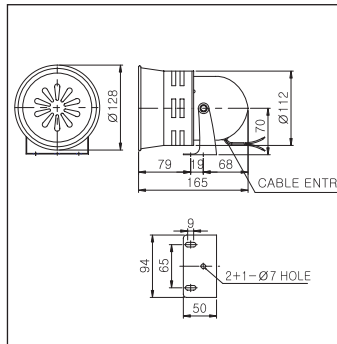
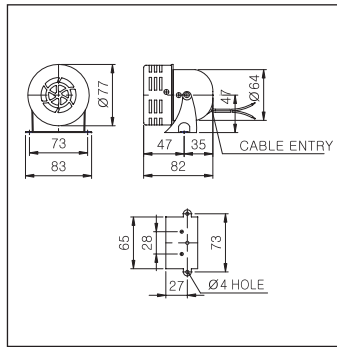


# MOTORISED SIRENS

## SM30 SM40

- Miniature Motor Siren with an external diameter of 80/100mm & 40W sound volume output
- Suitable for warning information of small hoist, light transfer cars and the inside of small vessels.
- Body standard color: RED(SM30) & GREY(SM40)
- Material: Steel(SM30) & ABS(SM40)
- Insulation resistance: 100MΩ(at 500VDC)
- Dielectric strength: 500VAC, 50/60Hz in 1 minute



IP44



SM30

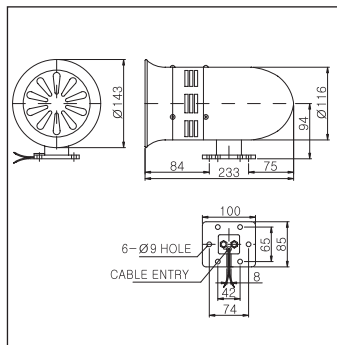


SM40

Model	Volume	Rated V	Current	Weight	RPM	Rating
SM30	114dB	DC12V	6.00A	0.29Kg	10.000	10MIN
		DC24V	2.50A	0.29Kg		
		AC110V	0.90A	0.55Kg		
		AC220V	0.43A	0.55Kg		
SM40	116dB	DC12V	5.80A	0.54Kg	7.000	10MIN
		DC24V	2.10A	0.54Kg		
		AC110V	1.60A	0.69Kg		
		AC220V	0.80A	0.69Kg		

## SM200

- High durability and excellent for remote signal transmission due to high volume capacity
- Suitable for various types of cranes, vessels and fire warning systems
- Body standard colour: Red
- Material: Diecast Aluminium
- Insulation resistance: 100MΩ(at 1500VDC)
- Dielectric strength: 500VAC, 50/60Hz in 1 minute



IP44



Model	Volume	Rated V	Current	Weight	RPM	Rating
SM200	120dB	DC12V	12.40A	2.19Kg	7.000	10MIN
		DC24V	6.80A	2.19Kg		
		AC110V	1.50A	2.72Kg		
		AC220V	1.00A	2.72Kg		