

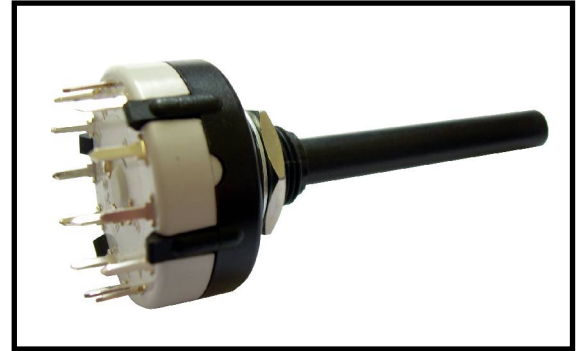
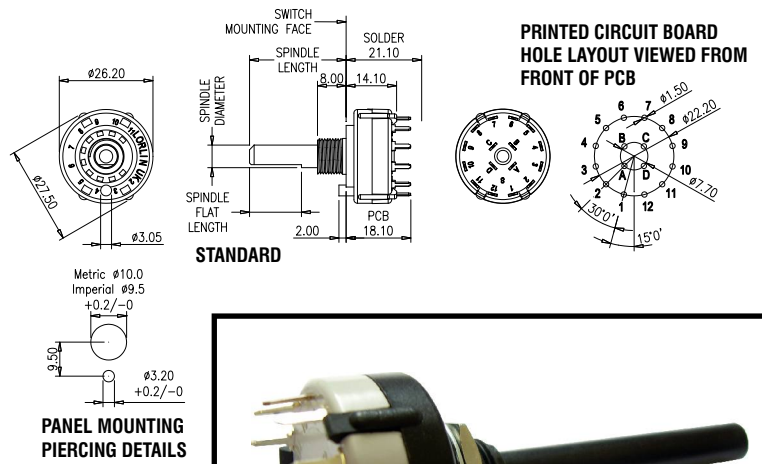
CK ROTARY SWITCH

MSW12

Switch Rating:	150mA@250VAC/DC
Life:	>10.000 Cycles
Operating Temp:	-30°C to +85°C
Proof Voltage:	1.500VAC (Initial)
Insulation Resistance:	>999mΩ at 500VDC (Initial)
Contact Resistance:	<20mΩ (Initial)
Operating Torque (nominal):	Standard 8.6 ± 1 cNm Light Action 3.5 ± 0.5 cNm
End Stop Torque (nominal):	0.80Nm
Moulding Material:	Polyamide 6.6 G.F.
Contact/Terminal Material:	Brass CZ108 Ag Plated

GENERAL FEATURES

- Cost effective single wafer switch
- Moulded 27.5mm diameter
- Standard 30° indexing
- Solder or printed circuit board terminals
- Maximum 12 positions
- Adjustable stop to restrict number of positions

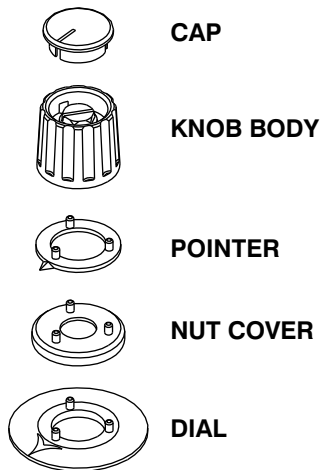


COLLET/POINTER KNOBS

Collet knobs are distinguished by their elegance, easy handling, long life, perfect fit on the shaft as a result of clamping chuck mounting (collet) and by their comprehensive accessories in different colours. Due to modular construction it has interchangeability and easy assembly of the knob body. Different colour caps, pointers, nut covers and marked dials can be simply plugged on the knob body. Different collet sizes are available to suit the different shaft diameter of potentiometers & band switches of different makes and designs. 6.35mm (1/4"), 6mm & 4mm are standard shaft diameters used.



THE SYSTEM



Knob Parts

KNOB BODY

It is basic unit of the system. Different components can be fitted to it.

CAPS

Caps press fit on top of the knob body and gives an attractive covering to the knob.

NUT COVERS

It's function is to cover the mounting Nut fitted on the shaft. Nut covers are available only in 15 mm.

POINTERS

Pointers are snap fixed on the base of knob available for all knob sizes.

DIALS

Transparent dials are available in plain and with markings. It's function is to indicate angular position of shaft by arrow or line.

GKL15 Black collet knob

GCL15-CAP Cap with pointer available in red, green, white or black.

GKD15 Black pointer

GKN15 Black nut cover