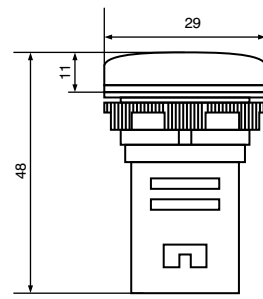


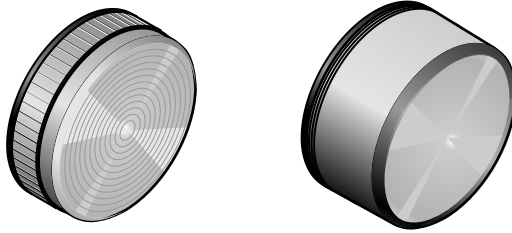
The ND22 series indicators adopt super bright LED technology with low energy consumption. The special locking nut structure allows this indicator to be used for either a 22.5mm or a 25.5mm panel cut-out. Degree of protection is IP65. (The LED is not replaceable).

- ND22-BS AC/DC 6V (ex indent)
- ND22-BS AC/DC 12V
- ND22-BS AC/DC 24V
- ND22-BS AC/DC 36V
- ND22-BS AC/DC 48V
- ND22-B AC/DC 110V
- ND22-B AC/DC 220V
- ND22-B AC 380V (ex indent)

Colours: Red, Green, Yellow, Orange, Blue or White.



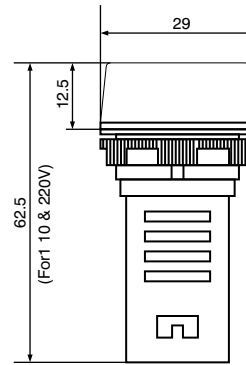
**A**



**A**

**B**

- Two types of lens are available for all models.
- a) Low profile translucent fresnel type.
  - b) Medium profile fully diffused smooth type.
  - c) 30mm adaptor available - see YADP30

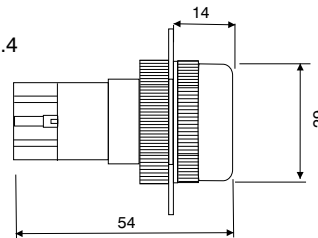


**B**



Cutout: 22mm  
30mm adaptor available - see YADP30 on page 1.4

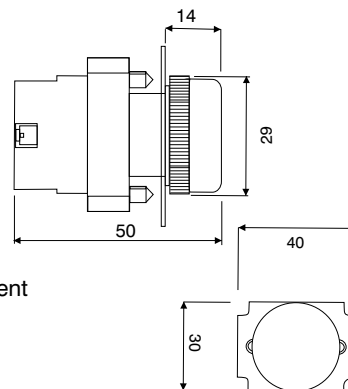
- EV161 White, Direct Connection, 6~380V
- EV163 Green, Direct Connection, 6~380V
- EV164 Red, Direct Connection, 6~380V
- EV165 Yellow, Direct Connection, 6~380V
- EV166 Blue, Direct Connection, 6~380V



BA9S Lamp Holder (see LED Lamp Replacement Table for options)

Cutout: 22mm

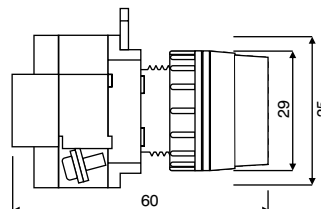
- BV61 White, Direct Connection, 6~380V
- BV63 Green, Direct Connection, 6~380V
- BV64 Red, Direct Connection, 6~380V
- BV66 Blue, Direct Connection, 6~380V
- BV65 Yellow, Direct Connection, 6~380V
- BV66 Blue, Direct Connection, 6~380V
- BV71 White, Resistance, 220V, Supplied with a 110V BA9S Red Neon
- BV73 Green, Resistance, 220V, Supplied with a 110V BA9S Green Fluorescent
- BV74 Red, Resistance, 220V, Supplied with a 110V BA9S Red Neon
- BV75 Yellow, Resistance, 220V, Supplied with a 110V BA9S Red Neon
- BV76 Blue, Resistance, 220V, Supplied with a 110V BA9S Red Neon.



BA9S Lamp Holder (see LED Lamp Replacement Table for options)

### APL22....

Cutout: 22mm  
30mm adaptor available - see YADP30



Lens colours: Red, Green, Yellow, Orange, Blue, White or Clear  
BA9S Lamp Holder (See LED Lamp Replacement Table for options).