

SOLO STROBE LIGHT

MICRO PROCESSOR CONTROLLED HIGH QUALITY XENON STROBE

Technical Specs

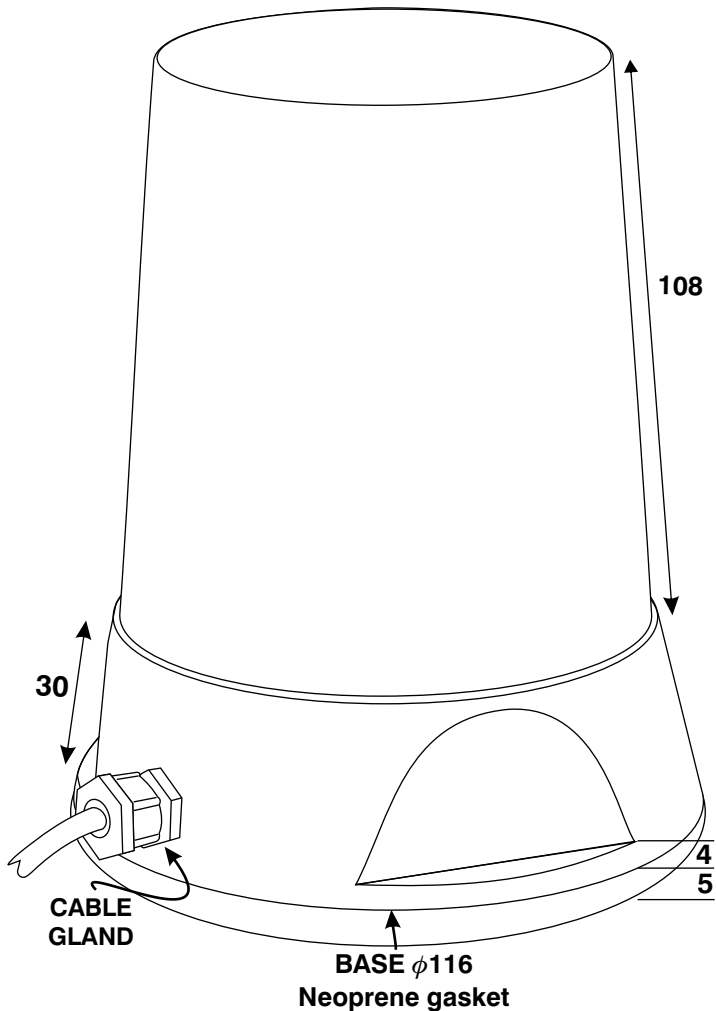
Flash rate	:	72 flashes/minute
Voltage	:	115 / 230VAC \pm 10%
Current Consumption	:	40mA@230VAC / 80mA@115VAC
Flash power	:	4 Joules@230VAC / 115VAC

ORDER No.

SOLO-ST **115 A**
230 A

Features

- Long life expectancy >1000 hours (@70% duty cycle)
- Available with waterproof gland cable entry
- Impact resistant lens and enclosure
- Simple screw mounting base
- Over-voltage protection



MIMIC COMPONENTS

JOHANNESBURG TEL: (011) 689-5700 FAX: (011) 493-8821
CAPE TOWN TEL: (021) 551-8185 FAX: (021) 551-8169