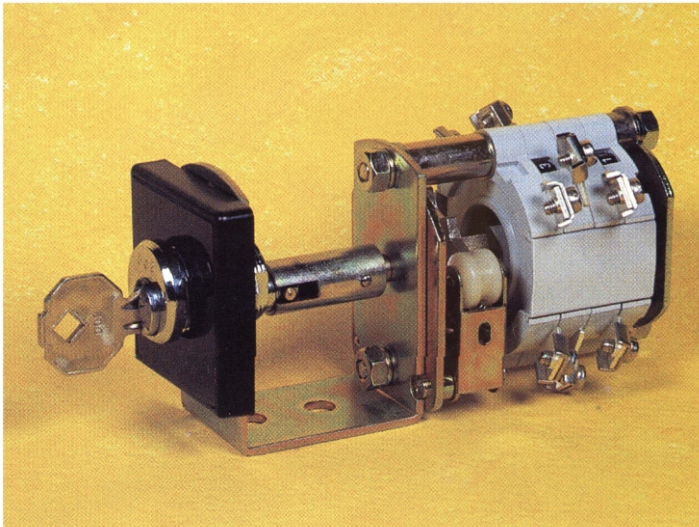


ROTARY KEY SWITCH FR 10



FR 10 switches are for mounting on switch-boards and are used on all auxiliary circuits for connecting and disconnecting Devices, measuring instruments etc. Due to their special design features they can be installed in any environment, regardless of atmospheric and climatic conditions.

DESCRIPTIONS AND CONSTRUCTIONAL FEATURES OF THE UNIT.

The main elements of the FR 10 switches are the following:

- Key control handle: fixed or removable type
- front plate, round with 45mm dia, or square shaped with 45 mm side, engraved with any desired position indication.
- melamine insulated units, bearing numbered stationary contacts.
- contacts, moving and stationary. Moving contacts are mounted on the control shaft and consist of 2 sheets which undergo self-sliding motion thus achieving self-cleaning effect.
- The stationary contacts in the melamine block have stand clamps for electric wire connection.
- Contacts are made of special material and are thickly silver plated or gold plated on special request.

USES AND APPLICATIONS

Switch with safety locking device to prevent unauthorized use. The key turns 90 degrees to the right and can be removed only in vertical position.

RATED ELECTRICAL CHARACTERISTICS

Type FR 10
 Thermal current 1th = 20 A
 Insulation voltage $U_i = 690$ V
 Conditional short-circuit current
 Maximum peak 1500 A
 Joule integral (1st) KA^2S
 DECLARATION OF CONFORMITY TO EN 60947-5-1 STANDARD
 All the FR 10 devices comply with the requirements of EN 60947-5-1 STANDARD.
 Thus they also conform to EC directives n 73/23, 93/68 89/336 (EMC), (low voltage directive).
 TYPE TEST CARRIED OUT IN CESI LABORATORIES-MILAN
 N MP-94/034529

INSTALLATION

FR 10 switch can be mounted directly on the panel door. (1 to 4mm thick steel).

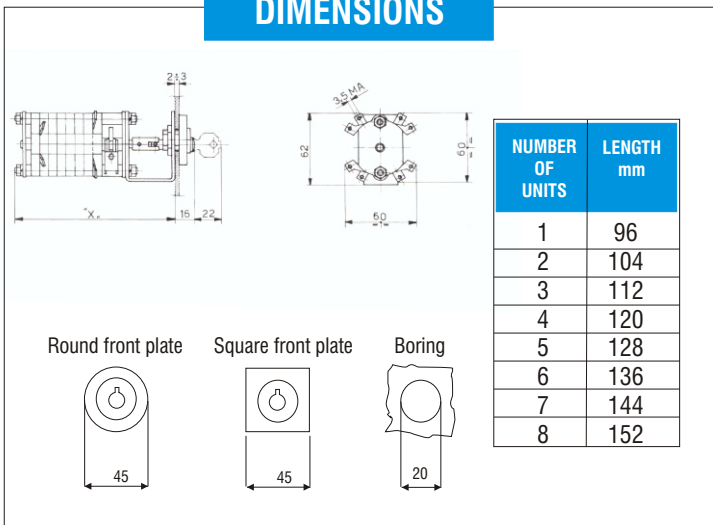
KEY TYPES & POSITIONS

The FR 10 can be supplied with different keys (up to 100 different Numbers, or different in groups, i.e. 10 pcs. 001, 10pcs. 002, 10pcs 003,etc.)

The FR 10 type with separate knob and key, can also have a master key that enables it to operate with a single key on switches with different numbers.

The FR 10 with direct key operation, can only be supplied with 90° movements (up to four different positions). If a greater number of positions are needed, it is necessary to use our switch with knob & safety lock. (Our type FR 10)

DIMENSIONS



RATED ELECTRICAL CHARACTERISTICS

Utilization categories	AC 14	AC 15	DC 13	DC14	DC14
Operational voltage (Ue)	400 V	400 V	250 V	110 V	250 V
Operational current (Ie)	16 A	10 A	6 A	6 A	2.5 A

STATIONARY CONTACTS: available in two types:

1st.) Standard type



2nd) extended type allows any extension of circumference lengths.



MOVING CONTACTS, available in 3 types:

- A) straight type
- B) square (right angle) type
- C) continuous without current breaking



Quality specialized switches by


COMELETRIC

 **MIMIC COMPONENTS (PTY) LTD**

ADDRESS: 17 Ramsay Str
 Booyens 2091
 Johannesburg South Africa

POSTAL: P.O. BOX 38493
 Booyens 2016 South Africa
 E-mail: sales@mimic.co.za

TEL: +27 11 689 - 5700
 FAX: +27 11 493 - 8821
 WEB PAGE: mimic.co.za