

ADDA SYSTEMS WDIND4100 USER MANUAL

Contents

PRODUCT FEATURES	1
MENU FLOW DIAGRAM	2



PRODUCT FEATURES

- Programmable input range : 0-20mA and 4-20mA
- User programmable display range -1999 to 9999 (decimal point selectable)
- Controls on the side of the housing.
- High Brightness Red 100mm LED display with user variable brightness.
- 3 Year guarantee
- High accuracy

Specifications:

Supply voltages	24Vdc \pm 15, 115VAC or 220VAC 10%
Power consumption	22W max
Accuracy, linearity	0,05% of Full Scale, \pm 1 count
Internal A-D resolution	>260 000 counts
Input Impedance	100 Ω
Temperature coefficient	30 ppm/ $^{\circ}$ C typ
Conversion rate	1-5 per second (adjustable)
Settling time	1 second
Memory retention	Non volatile operation
Operating temperature range	5 $^{\circ}$ C - 50 $^{\circ}$ C

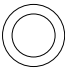

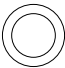

CONNECTION DETAILS

LEFT SIDE

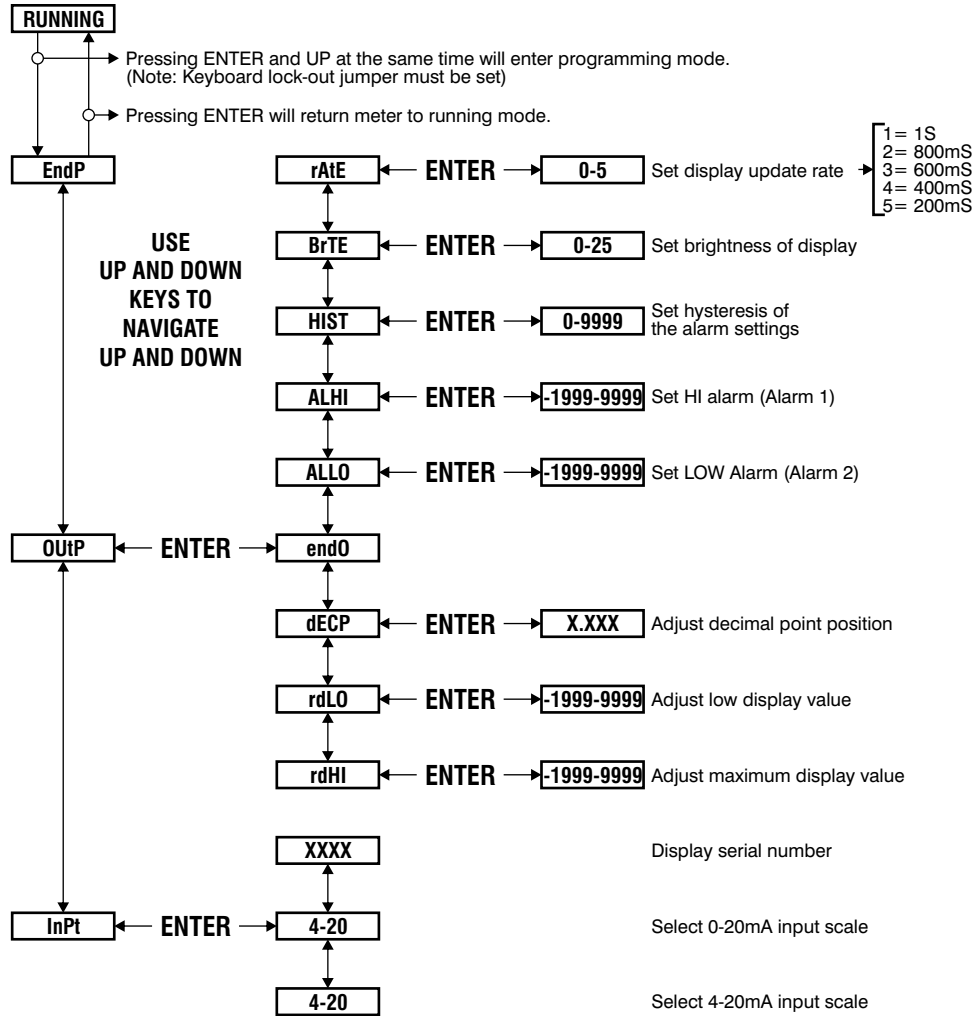
4-20mA SIGNAL POWER SUPPLY
INPUT (24VDC, 115VAC or 220VAC)



RIGHT SIDE

   
SEL. UP DOWN X50

MENU FLOW DIAGRAM



NOTE:. When in numerical display windows (excl. Dimmer, Rate and Hist setting windows) the X50 pushbutton will change the increment/decrement value to 50 X when pushed in conjunction with the up or down keys.

FACTORY DEFAULT SETTINGS	RATE	5	
	BRIGHTNESS	25	
	HYSTERESIS	5	- NOT USED
	ALARM LO	4.00	- NOT USED
	ALARM HI	16.00	- NOT USED
	DECIMAL POINT	XX.XX	
	LOW DISPLAY READING	0.00	
	HIGH DISPLAY READING	20.00	
	INPUT	0-20Ma	



17 Ramsay Street Booyens 2091 Johannesburg South Africa
Tel: (011) 689-5700 or E-mail: sales@mimic.co.za

MIMIC COMPONENTS (PTY) LTD

ELECTRICAL & INSTRUMENTATION COMPONENTS & SYSTEMS