

ADDA SYSTEMS APM 4020 USER MANUAL

Contents

PRODUCT FEATURES1
MENU FLOW DIAGRAM2



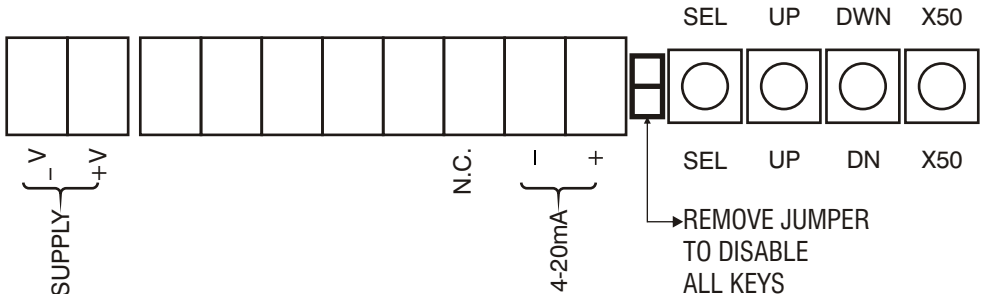
PRODUCT FEATURES

- Programmable input range : 0-20mA and 4-20mA
- Standard DIN enclosure: size. 48mmx96mmx120mm (Depth)
- User programmable display range -1999 to 9999 (decimal point selectable)
- Controls available behind display lens (hidden controls prevent unauthorised adjustments) or alternatively pushbuttons of enclosure.
- High quality tactile pushbuttons (no membrane to peel off)
- High Brightness Red or Green 20mm LED display with user variable brightness.
- Removable plug in terminals
- 3 Year guarantee
- High accuracy

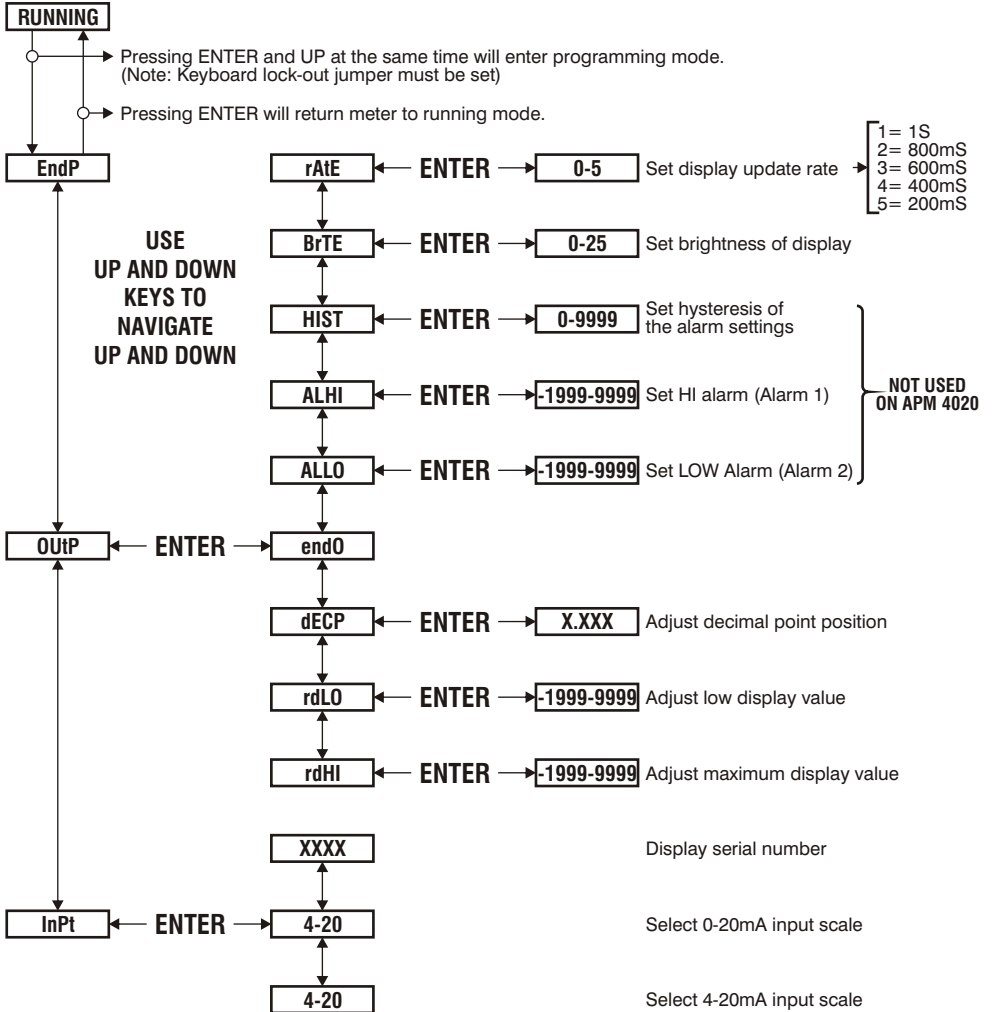
Specifications:

Supply voltage	24Vdc $\pm 15\%$
Power consumption	2,5W max
Accuracy, linearity	0,05% of Full Scale, ± 1 count
Internal A-D resolution	>260 000 counts
Input Impedance	100 Ω
Temperature coefficient	30 ppm/ $^{\circ}\text{C}$ typ
Conversion rate	1-5 per second (adjustable)
Settling time	1 second
Memory retention	Non volatile operation
Operating temperature range	5 $^{\circ}\text{C}$ - 50 $^{\circ}\text{C}$
Cut-out size	45mm x 92mm

CONNECTION DETAILS



MENU FLOW DIAGRAM



NOTE:. When in numerical display windows (excl. Dimmer, Rate and Hist setting windows) the X50 pushbutton will change the increment/decrement value to 50 X when pushed in conjunction with the up or down keys.

FACTORY DEFAULT SETTINGS	RATE	5	
	BRIGHTNESS	25	
	HYSTERESIS	5	- NOT USED
	ALARM LO	4.00	- NOT USED
	ALARM HI	16.00	- NOT USED
	DECIMAL POINT	XX.XX	
	LOW DISPLAY READING	0.00	
	HIGH DISPLAY READING	20.00	
INPUT	0-20Ma		



MIMIC COMPONENTS (Pty) Ltd

17 Ramsay Street
Booyens 2091
Johannesburg South Africa

P.O. Box 38493
Booyens 2016 South Africa
e-mail: sales@mimic.co.za

Tel: +27 11 689 - 5700
Fax: +27 11 493 - 8821
www.mimic.co.za