

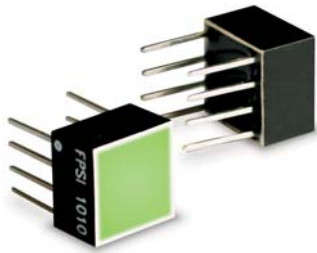
FloPSI SERIES

2 COLOUR LED STATUS INDICATORS



The FloPSI Series (Flash Programmable Status Indicator) is a range of compact LED modules that switch between bright red and green at 2 separate user programmed levels.

Once defined by the user, the setup information is stored in flash memory, which can be programmed as often as you like. The FPSI Series can be used in countless applications especially where a simple, universal "GO / NO GO" indication is required.



Component Style Status Indicator

Stock No.

FPSI 1010

- Bright red and green indication
- 0 to 2.5V d.c. or 0 to 5V d.c. measurement input
- 2 User programmable colour switching thresholds
- 3 control outputs
- Low power flashing mode
- 5V d.c. supply voltage
- Dimensions: 10.0 x 10.0 x 6.2mm
- DIL connection



IP67 Round Hole Panel Mounted Status Indicator

Stock No.

EM20-FPSI 1010

- Bright red and green indication
- 0 to 30V d.c. measurement input
- 2 User programmable colour switching thresholds
- 1 control output
- Low power flashing mode
- 7 to 24V d.c. supply voltage
- Panel cut-out: 20.5mm diameter
- Supplied with mounting nut and rubber seal
- Screw terminal connection



1 x Panel Mounted Status Indicator

Stock No.

FPSI 1010-1

- Bright red and green indication
- 0 to 30V d.c. measurement input
- 2 User programmable colour switching thresholds
- Low power flashing mode
- 7 to 24V d.c. supply voltage
- Panel cut-out: 13.5 x 13.5mm
- Screw terminal connection



2 x Panel Mounted Status Indicator

Stock No.

FPSI 1010-2

- Bright red and green indication
- 0 to 30V d.c. measurement input
- 2 User programmable colour switching thresholds (per FPSI)
- Low power flashing mode
- 7 to 24V d.c. supply voltage
- Panel cut-out: 26.0 x 13.5mm
- Screw terminal connection



Status Indicator Programmer

Stock No.

FPSI 1010-PROG

- Compatible with FPSI 1010 and FPSI 1010-TEMP
- Battery Powered (internal 9V PP3)
- Easy to Set up and Use
- ZIF Socket

FOR A FULL PRODUCT DATA SHEET, PRICING AND ON-LINE STORE VISIT:

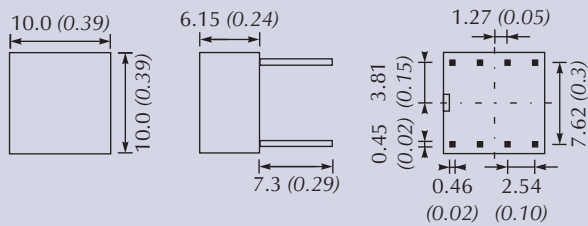
www.lascarelectronics.com



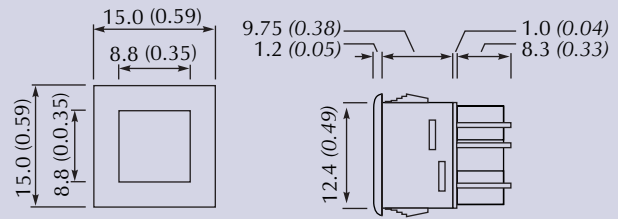
Mechanical Specification

All dimensions in mm (inches)

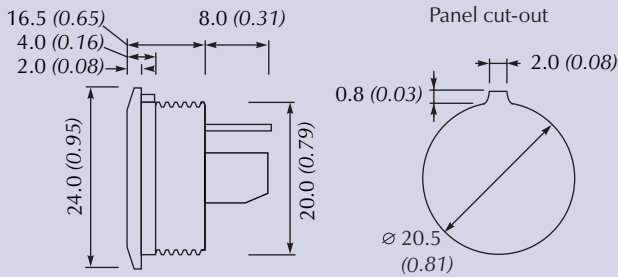
FPSI 1010



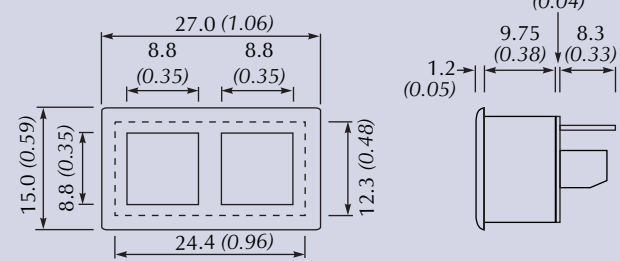
FPSI 1010-1



EM20-FPSI 1010



FPSI 1010-2

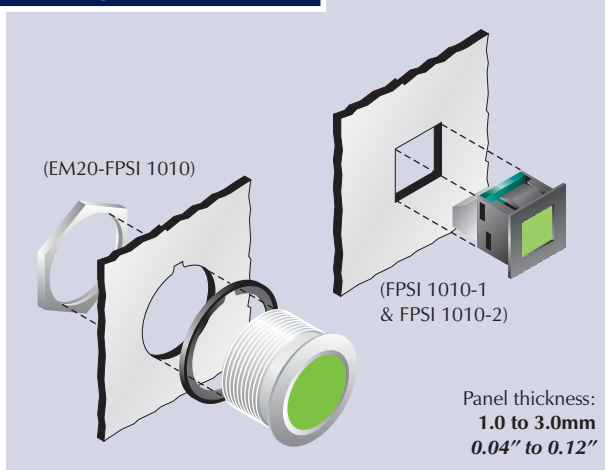


Dimensions	FPSI 1010	EM20-FPSI 1010	FPSI 1010-1	FPSI 1010-2
Panel cut-out (W x H)	-	20.5mm dia. 0.81" dia.	12.6 x 12.6mm 0.5 x 0.5"	25.0 x 12.6mm 0.98" x 0.5"
Module (W x H)	10.0 x 10.0mm 0.39" x 0.39"	24.0mm dia. 0.95" dia.	15.0 x 15.0mm 0.59" x 0.59"	27.0 x 15.0mm 1.06" x 0.59"

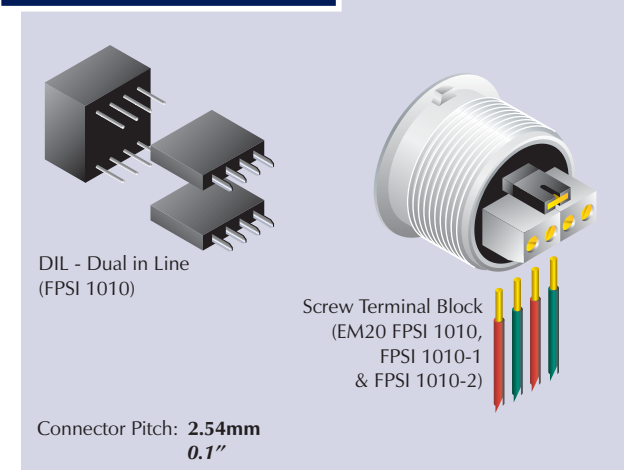
Specification	FPSI 1010	EM20-FPSI 1010	FPSI 1010-1	FPSI 1010-2
Supply voltage (V+ to V0)	4.75 to 5.5V d.c.*	7.0 to 24.0V d.c.*	7.0 to 24.0V d.c.*	7.0 to 24.0V d.c.*
Supply current	15mA (typ.)	15mA (typ.)	15mA (typ.)	30mA (typ.)
Input voltage	Vref not connected 0 to 2.5V d.c.	0 to 30V d.c.	0 to 30V d.c.	0 to 30V d.c.
(Vin to V0)	Vref connected to +5V 0 to 5.0V d.c.	-	-	-
Internal resolution	Vref not connected 2.5mV	30mV d.c.	30mV d.c.	30mV d.c.
	Vref connected to +5V 5.0mV	-	-	-
Accuracy (overall error)	0.4%	2%	2%	2%
Temperature stability	100ppm/°C	100ppm/°C	100ppm/°C	100ppm/°C
Hysteresis	2%	2%	2%	2%
Sample rate	4 samples/sec.	4 samples/sec.	4 samples/sec.	4 samples/sec.
Operating temperature range	-30 to +70°C	-30 to +50°C	-30 to +50°C	-30 to +50°C
Input impedance	1 kOhm	1 kOhm	1 kOhm	1 kOhm
Output high voltage	V+ -0.7 to V+ V d.c.	4.175 to 5.125V d.c.	4.175 to 5.125V d.c.	4.175 to 5.125V d.c.
Output high current	1mA (max.)	1mA (max.)	1mA (max.)	1mA (max.)
Output low current	0 to 0.6V d.c.	0 to 0.6V d.c.	0 to 0.6V d.c.	0 to 0.6V d.c.
Output low voltage	1mA (max.)	1mA (max.)	1mA (max.)	1mA (max.)

* Operation of the indicator beyond the maximum supply voltage rating may cause permanent damage to the indicator.

Mounting Method



Connection



Please note that all specifications are correct at time of print. The Company reserves the right to change any specification, typographical, clerical or other error or omission without any liability on the part of the company.

Lascar Electronics Limited

Module House, Whiteparish, Salisbury,
Wiltshire SP5 2SJ UK

Tel: +44 (0)1794 884567 Fax: +44 (0)1794 884616
E-mail: sales@lascar.co.uk

Lascar Electronics, Inc.

3750 West 26th Street,
Erie, PA 16506

Tel: +1 (814) 835 0621 Fax: +1 (814) 838 8141
E-mail: us-sales@lascarelectronics.com

Lascar Electronics (HK) Limited

Flat C, 5/FL., Lucky Fly, Bldg., 63-65 Hung To Road,
Kwun Tong, Kowloon, Hong Kong

Tel: +852 2797 3219 Fax: +852 2343 6187
E-mail: b4lascar@samsongroup.com.hk

