

10 SERIES

MINIATURE, ONE-PIECE SNAP-IN METERS



A series of digital panel meters with a one-piece, snap-in design, making installation a quick and easy procedure. Each meter has a large display in a miniature housing. All are backlit or use LED displays.

Modules shown actual size



DC Voltmeter

Stock No.

DPM 1AS-BL

- 3½ digit LCD
- 5.5mm (0.22") digit height
- LED backlighting
- 3.0 to 7.5V or 6.0 to 15.0V supply option
- Programmable decimal points
- 200mV full scale reading
- Auto-zero, auto-polarity
- SIL connection



DC Voltmeter

Stock No.

DPM 2AS-BL

- 3½ digit LCD
- 8.25mm (0.32") digit height
- LED backlighting
- 3.0 to 7.5V or 6.0 to 15.0V supply option
- Programmable decimal points
- 200mV full scale reading
- Auto-zero, auto-polarity
- SIL connection



DC Voltmeter

Stock No.

DPM 3AS-BL

- 3½ digit LCD
- 11.0mm (0.43") digit height
- LED backlighting
- 3.0 to 7.5V or 6.0 to 15.0V supply option
- Programmable decimal points
- 200mV full scale reading
- Auto-zero, auto-polarity
- SIL connection



DC Voltmeter

Stock No.

DPM 340

- 3½ digit LED
- 7.6mm (0.30") digit height
- Programmable decimal points
- 200mV full scale reading
- Auto-zero, auto-polarity
- SIL connection



4-20mA Loop Powered Meter

Stock No.

DPM 342

- 3½ digit LCD
- 11.0mm (0.43") digit height
- LED backlighting (loop powered)
- Programmable decimal points
- Wide adjustment range
- Auto-polarity on display
- Screw terminal connection

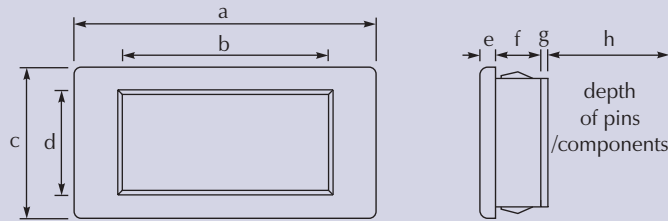
FOR A FULL PRODUCT DATA SHEET, PRICING AND ON-LINE STORE VISIT:

www.lascarelectronics.com



Mechanical Specification

All dimensions in mm (inches)



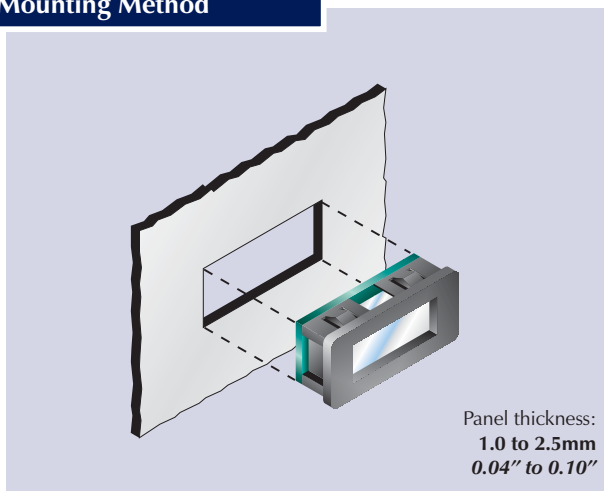
	DPM 1AS-BL	DPM 2AS-BL	DPM 3AS-BL	DPM 340	DPM 342
a.	30.0 (1.18)	35.0 (1.38)	40.0 (1.57)	40.0 (1.57)	40.0 (1.57)
b.	18.6 (0.73)	22.3 (0.88)	27.3 (1.07)	27.3 (1.07)	27.3 (1.07)
c.	14.0 (0.55)	17.0 (0.67)	20.0 (0.79)	20.0 (0.79)	20.0 (0.79)
d.	7.0 (0.28)	9.7 (0.38)	12.7 (0.5)	12.7 (0.5)	12.7 (0.5)
e.	2.0 (0.08)	2.0 (0.08)	2.0 (0.08)	2.0 (0.08)	2.0 (0.08)
f.	6.0 (0.24)	6.0 (0.24)	6.0 (0.24)	6.0 (0.24)	6.0 (0.24)
g.	1.6 (0.06)	1.6 (0.06)	1.6 (0.06)	1.6 (0.06)	1.6 (0.06)
h.	6.0 (0.24)	6.0 (0.24)	6.0 (0.24)	9.5 (0.37)	11.0 (0.43)

Dimensions	DPM 1AS-BL	DPM 2AS-BL	DPM 3AS-BL	DPM 340	DPM 342
Digit height	5.5mm 0.22"	8.25mm 0.32"	11mm 0.43"	7.6mm 0.30"	11mm 0.43"
Panel cut-out (W x H)	28.4 x 11.4mm 1.12 x 0.45"	33.0 x 15.0mm 1.30 x 0.59"	38.0 x 18.0mm 1.50 x 0.71"	38.0 x 18.0mm 1.50 x 0.71"	38.0 x 18.0mm 1.50 x 0.71"
Bezel (W x H)	30.0 x 14.0mm 1.18 x 0.55"	35.0 x 17.0mm 1.38 x 0.67"	40.0 x 20.0mm 1.57 x 0.79"	40.0 x 20.0mm 1.57 x 0.79"	40.0 x 20.0mm 1.57 x 0.79"

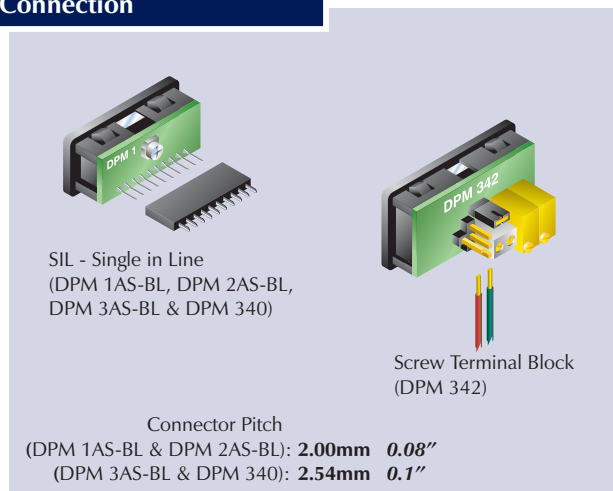
Specification	DPM 1AS-BL	DPM 2AS-BL	DPM 3AS-BL	DPM 340	DPM 342
Accuracy (overall error)*	0.1% (±1 count) (typ.)	0.1% (±1 count) (typ.)	0.1% (±1 count) (typ.)	0.05% (±1 count) (typ.)	0.1% (±1 count) (max.)
Full scale reading	±200mV d.c.	±200mV d.c.	±200mV d.c.	±200mV d.c.	1000 (typ.)
Resolution	100µV	100µV	100µV	100µV	1 count
Supply voltage	V+ to GND config.	3.0 to 7.5V d.c.	3.0 to 7.5V d.c.	3.0 to 7.5V d.c.	5V d.c. (typ.)
	V+ to V- config.	6.0 to 15.0V d.c.	6.0 to 15.0V d.c.	6.0 to 15.0V d.c.	-
Supply current	V+ to GND config.	350µA (typ.)	350µA (typ.)	350µA (typ.)	50mA (typ.)
	V+ to V- config.	175µA (typ.)	175µA (typ.)	175µA (typ.)	-
Backlight current	15mA (typ.) @ 5V d.c.	15mA (typ.) @ 5V d.c.	40mA (typ.) @ 5V d.c.	-	inc.
Sample rate	2.5 samples/sec.	2.5 samples/sec.	2.5 samples/sec.	2.5 samples/sec.	2.5 samples/sec.
Operating temperature range	0°C to 50°C	0°C to 50°C	0°C to 50°C	0°C to 50°C	0°C to 50°C
Temperature stability	100ppm/°C	100ppm/°C	100ppm/°C	150ppm/°C	200ppm/°C

* To ensure maximum accuracy, re-calibrate periodically.

Mounting Method



Connection



Please note that all specifications are correct at time of print. The Company reserves the right to change any specification, typographical, clerical or other error or omission without any liability on the part of the company.

Lascar Electronics Limited

Module House, Whiteparish, Salisbury,
Wiltshire SP5 2SJ UK

Tel: +44 (0)1794 884567 Fax: +44 (0)1794 884616
E-mail: sales@lascar.co.uk

Lascar Electronics, Inc.

3750 West 26th Street,
Erie, PA 16506

Tel: +1 (814) 835 0621 Fax: +1 (814) 838 8141
E-mail: us-sales@lascarelectronics.com

Lascar Electronics (HK) Limited

Flat C, 5/FL., Lucky Fty. Bldg., 63-65 Hung To Road,
Kwun Tong, Kowloon, Hong Kong

Tel: +852 2797 3219 Fax: +852 2343 6187
E-mail: b4lascar@samsongroup.com.hk

